

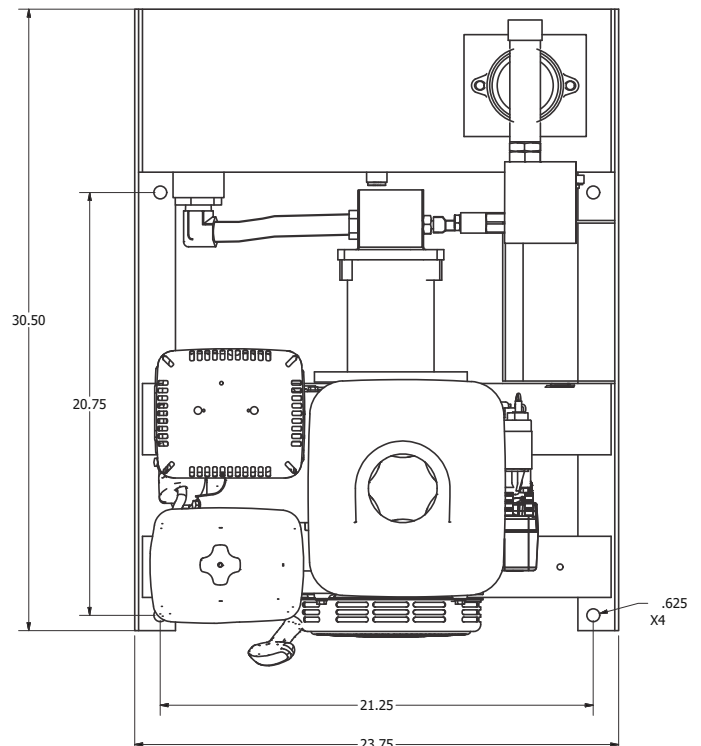
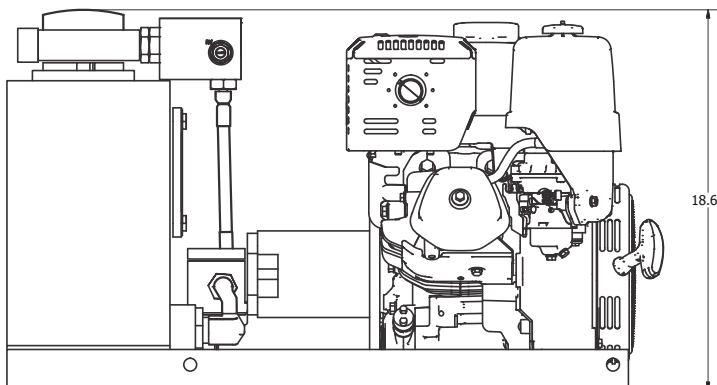
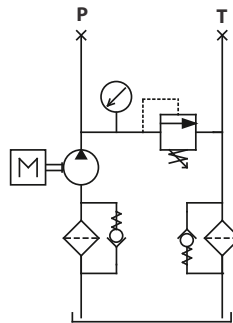
Lowboy Power Unit

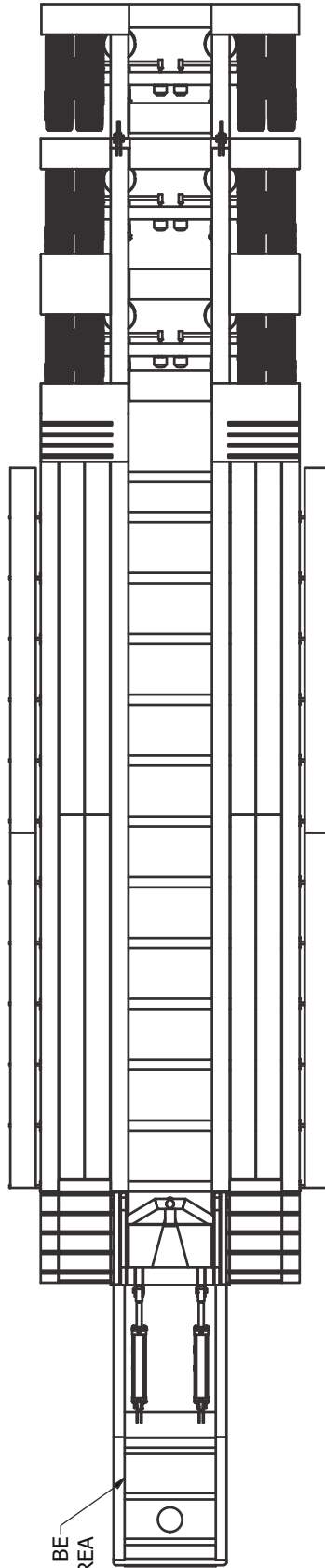
9500769

Technical Information

• Pressure and Tank Unit • Designed for Use on a Lowboy Trailer or Detached Trailer • Takes the Place of a Hydraulic Wet Kit on a Semi • Battery Included on Electric Start Models • Painted Black • 1/2" 4 Hole Bolt Down on Frame (Reference Drawing Below for Dimensions) • Engine includes low oil shutdown system • Heavy Duty Frame • Suction Filter: 100 Mesh Suction Filter with 3 PSI Bypass • Gauge: Liquid Filled S.S. Case 0-5000 • Tank: 12 Gallon Nominal, 10 Gallon Usable, Fully Baffled, 12 Gauge Steel • 5" Level Sight/Temperature Gauge Standard • Relief Valve Adjustable from 100-3000 PSI • Relief Valve: Preset to Power Units' Maximum Pressure Capability (3000 PSI) • Pumps: High Performance Pressure Balanced Aluminum Body Gear Pump • Tank Drain Plug: #8 O-ring • Fully Tested Before Shipment, Engine Oil Onboard • Anti-Wear ISO 46 Hydraulic Oil Recommended, ATF Satisfactory • Replacement Components Available From Stock

- 13 HP Honda Motor with Electric Start
- 5 GPM Maximum
- 3000 PSI Maximum
- #12 SAE O-Ring Ports
- 100-3000 PSI Adjustable Relief Valve
- 0-5000 PSI Liquid Filled Pressure Gauge
- Filler Breather Integral
- 10 Micron Return Filter
- #8 SAE O-Ring Drain Plug on Reservoir
- 1/2" 4 Hole Bolt Down on Frame (Reference Drawing Below)
- Painted Black
- 29" X 23-3/4" X 19-1/2" (L X W X H)
- 201 lbs dry





POWER UNIT CAN BE
MOUNTED IN THIS AREA